

JMHB170H-1

H-Series Hydraulic Breaker

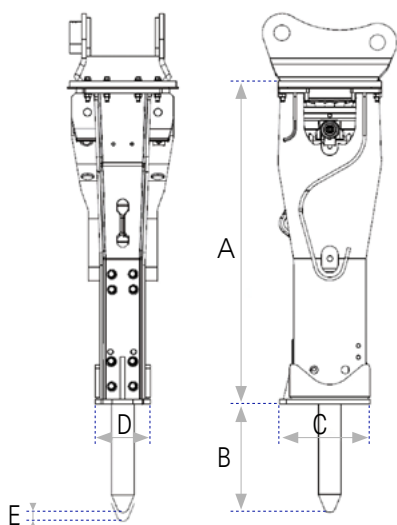


Compact Frame with Heavy Power

- ✔ Designed for 15 to 25 ton carriers.
- ✔ Proven reliability.
- ✔ User friendly.

- **Hydraulic accumulator:** No more regular nitrogen controls and recharges on jobsites.
- **Automatic lubrication** with 8 kg capacity mounted on carrier machine.
- **Made in France:** Superior quality steel, and manufacturing excellence.
- **Blank firing protection:** Increased lifespan of wear parts.

Weight and dimensions



Weight		
Breaker.	853 kg	1,881lb
+ Mounted tool.	956 kg	2,108 lb
+ Mounted adapter plate (max.)	1,211 kg	2,670 lb
Dimensions		
A.	1,645 mm	64.76 in
B.	475 mm	18.7 in
C.	461.5 mm	18.17 in
D.	284 mm	11.18 in
E.	52 mm	2.05 in

General Specifications

Operating Information

- **Carrier weight range (min-max, mt):** 15-25
- **Oil flow (min.max, L/min, gpm):** 100-150 / 26.4-40
- **Maximum operating pressure (bar/psi):** 125/1,813
- **Maximum back pressure (bar/psi):** 10/145
- **Input power (kW):** 39.6
- **Striking frequency (min-max, BPM):** 400-800
- **Noise level/10 m (dBA):** 95
- **Soundproofing:** Standard.
- **Pressurization:** Preinstalled.

Consumables (SKU)





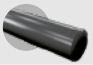
- **Grease cartridge (5 kg):** 86772993
- **Grease cartridge (18 kg):** 101095008
- **Grease cartridge (180 kg):** 86799137

Options (SKU)

- **Pressurization kit:** 86411154
- **Adapter plate:** Upon request.
- **Special painting:** Upon request.

Maintenance kits

- **Level 1:** 86603990
- **Level 2:** 86604022

Tools					
Diameter (mm/in).	118	118	118	118	118
Length (mm/in).	1,000/39.4	1,300/51.2	1,000/39.4	1,300/51.2	1,000/39.4
Weight.	77/170	102/225	76/168	103/227	80.6/177.6
SKU.	86730579	86421948	86730561	86643681	86797651

The designs, specifications and product information in this document are provided only for informative purposes and constitute no warranty whatsoever. Product designs and specifications may change at any time without notice. The only warranties applicable to products and service sales are the standard written warranties, provided by Komatsu upon request.

Komatsu and other brands used in this document are property of Komatsu Ltd., Komatsu America Corp., Komatsu Mining Corp., one of their subsidiaries, or their respective owners or licensees.

KOMATSU

komatsulatioamerica.com

